

PCMCIA PC Memory Card Connectors



Features/Benefits

SERIES 5025

Series 5025 offers single or double stacked header combinations in SMT or Through Hole.

Also, this series meets the requirements of Ver. 4.2/PCMCIA Type I, II and III equipment.

Upper and lower stage of header offers the combination of DIP/SMT and DIP/DIP.

This product meets or exceeds the minimum requirements outlined in the PC Card specification for technical and performance criteria.

SERIES 5027

This is an SMT lightweight connector for 3.3v or 5v cards.

Height is 5.0mm (0.197), weight is under 10 grams (with single ejector mechanism) which is one of the lightest available in this industry.

Dual type is 2 pcs, side-by-side configuration and you can choose "With Ejector type" or "Without Ejector type".

This meets the requirements of PCMCIA, Type I, II and III.

This product meets or exceeds the minimum requirements outlined in the PC Card specification for technical and performance criteria.

SERIES 5069

1.27mm (0.05) pitch 68 positions plug connector designed for PC card. Contacts on the card side is arranged in two rows and the substrate side has DIP type and SMT type.

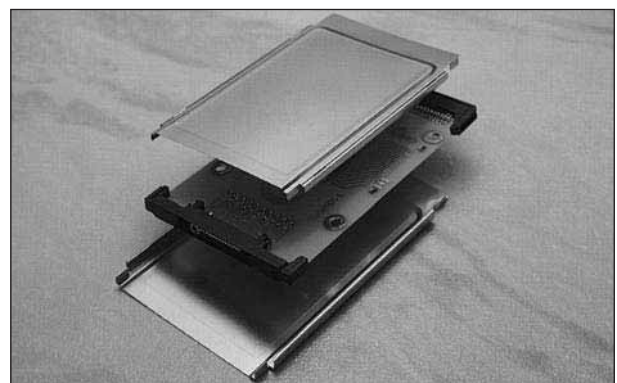
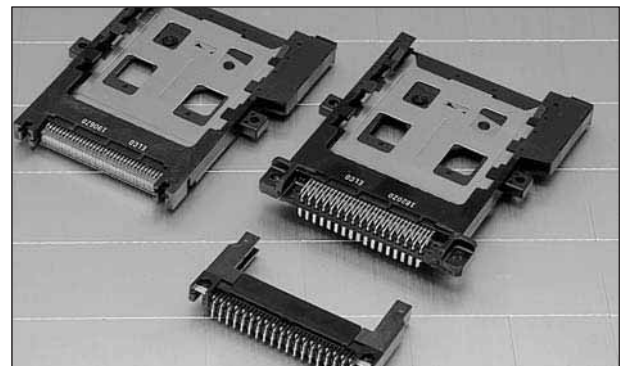
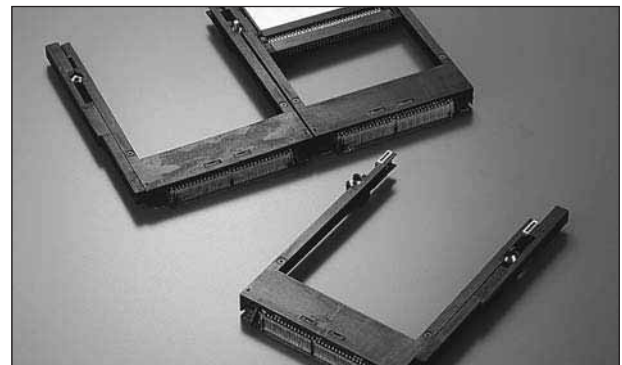
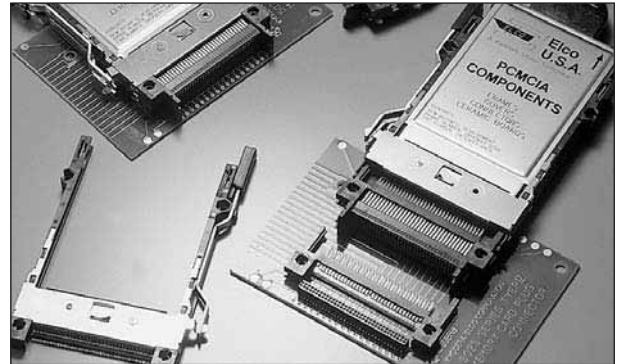
Receptacle (card side) connector is also available.

This product meets or exceeds the minimum requirements outlined in the PC Card specification for technical and performance criteria.

SERIES 9180

The 9180 series PC Card kits offers the broadest range of standard options in the industry. This includes; SMT connectors with multiple offsets, I/O connectors, label recesses, cover insulating films and wireless extensions. Assembly is accomplished by a simple snap together process with a low cost production tool.

This product meets or exceeds the minimum requirements outlined in the PC Card specification for technical and performance criteria.



PCMCIA Frameless Kit



Series 9180

New improved Frameless Kit from AVX – 9180 Series.

AVX has introduced an improved PCMCIA frameless kit with increased strength/torque. The design provides approximately 40% improvement in strength/torque than the previous version. Modifying the AVX unique interlocking mechanism and increasing the thickness of the metal covers have helped to achieve this. These improvements will not compromise the printed circuit board (PCB) space within the kit and therefore still offers the user the greatest PCB board space available in the market.

Due to the improvements made to the interlocking mechanism the assembly process has been simplified. The kit can now be assembled by using a very simple and inexpensive bench press tool. The actual assembly time, i.e. to assemble the kit will take approximately 20 seconds. Typically, a single tooling press can easily assemble in excess of 340K kits per annum.

The kit can be modified to incorporate holes for Antenna, Slot for SIM CARD reader and extended plastic bulge, hence the final product could be developed for specific wireless applications such as WLAN, Cellular and Bluetooth.

The top/bottom covers offer excellent RF shielding at 2.4Ghz and at 5Ghz and this product has been tested and approved to IEEE802.11.



APPLICATIONS

- Bluetooth
- GPRS/Edge Cellular Cards
- WLAN
- Test/Instrumentation



FEATURES AND BENEFITS

- The kit strength/torque has been improved by approximately 40%.
- Greatest PCB board spacing available in the market hence allowing Engineers to compact more electronics.
- The kit can be assembled by using a very simple bench press tool.
- Kit can be modified to incorporate plastic extension, holes for LEDs and slots for SIM card reader.
- Top/bottom covers made from high grade stainless steel, hence will offer excellent RF shielding at 2.4GHz and at 5GHz.
- Standard product offering available in 68 position connector – includes 0mm and 0.4mm offset.
- Optional plastic extension (30mm long x 5mm height, or 30mm long x 10mm height) available. Additional holes for MMCX can be incorporated at no extra cost.

HOW TO ORDER

3	X	9180	6	XXX	XX	002																														
Prefix	Working Voltage	Series	Contact Plating	I/O and Extension	68 Position Connector	Packaging																														
3 = Standard Frameless Kit																																				
			<table border="1" style="margin: auto;"> <thead> <tr> <th>Code</th> <th>Solder Tails</th> <th>Contact</th> <th>All Over</th> </tr> </thead> <tbody> <tr> <td>6</td> <td>Pure Tin</td> <td>Gold</td> <td>Nickel</td> </tr> </tbody> </table>	Code	Solder Tails	Contact	All Over	6	Pure Tin	Gold	Nickel	<table border="1" style="margin: auto;"> <thead> <tr> <th>Code</th> <th>Contact Rows</th> <th>CardBus</th> <th>PCB Offset</th> </tr> </thead> <tbody> <tr> <td>01</td> <td>Single</td> <td>No</td> <td>0.4mm Down</td> </tr> <tr> <td>02</td> <td>Single</td> <td>Yes</td> <td>0.4mm Down</td> </tr> </tbody> </table> <p style="font-size: small;">Contact factory of other offsets.</p>	Code	Contact Rows	CardBus	PCB Offset	01	Single	No	0.4mm Down	02	Single	Yes	0.4mm Down												
Code	Solder Tails	Contact	All Over																																	
6	Pure Tin	Gold	Nickel																																	
Code	Contact Rows	CardBus	PCB Offset																																	
01	Single	No	0.4mm Down																																	
02	Single	Yes	0.4mm Down																																	
	<table border="1" style="margin: auto;"> <thead> <tr> <th>Code</th> <th>Voltage Key</th> </tr> </thead> <tbody> <tr> <td>0</td> <td>5.0V</td> </tr> <tr> <td>1</td> <td>3.3V</td> </tr> </tbody> </table>	Code	Voltage Key	0	5.0V	1	3.3V		<table border="1" style="margin: auto;"> <thead> <tr> <th>Code</th> <th>Description</th> </tr> </thead> <tbody> <tr><td>001</td><td>Blank I / O</td></tr> <tr><td>002</td><td>15 Way I/O without Coax</td></tr> <tr><td>003</td><td>15 Way I/O with Coax</td></tr> <tr><td>011</td><td>Extended 30x5 - No Coax</td></tr> <tr><td>012</td><td>Extended 30x10 - No Coax</td></tr> <tr><td>013</td><td>Extended 30x10 - Twin Coax*</td></tr> <tr><td>014</td><td>Extended 30x10 - Coax Right*</td></tr> <tr><td>015</td><td>Extended 30x10 - Coax Left*</td></tr> </tbody> </table>	Code	Description	001	Blank I / O	002	15 Way I/O without Coax	003	15 Way I/O with Coax	011	Extended 30x5 - No Coax	012	Extended 30x10 - No Coax	013	Extended 30x10 - Twin Coax*	014	Extended 30x10 - Coax Right*	015	Extended 30x10 - Coax Left*	<table border="1" style="margin: auto;"> <thead> <tr> <th>Code</th> <th>Type</th> <th>Quantity</th> <th>Detail</th> </tr> </thead> <tbody> <tr> <td>002</td> <td>Tape and Reel</td> <td>576 Per 330mm Reel</td> <td>576 Per 330mm Reel</td> </tr> </tbody> </table>	Code	Type	Quantity	Detail	002	Tape and Reel	576 Per 330mm Reel	576 Per 330mm Reel
Code	Voltage Key																																			
0	5.0V																																			
1	3.3V																																			
Code	Description																																			
001	Blank I / O																																			
002	15 Way I/O without Coax																																			
003	15 Way I/O with Coax																																			
011	Extended 30x5 - No Coax																																			
012	Extended 30x10 - No Coax																																			
013	Extended 30x10 - Twin Coax*																																			
014	Extended 30x10 - Coax Right*																																			
015	Extended 30x10 - Coax Left*																																			
Code	Type	Quantity	Detail																																	
002	Tape and Reel	576 Per 330mm Reel	576 Per 330mm Reel																																	

*Coax versions have a suitable hole in the end of the kit. The coax connectors are not included with the kit.



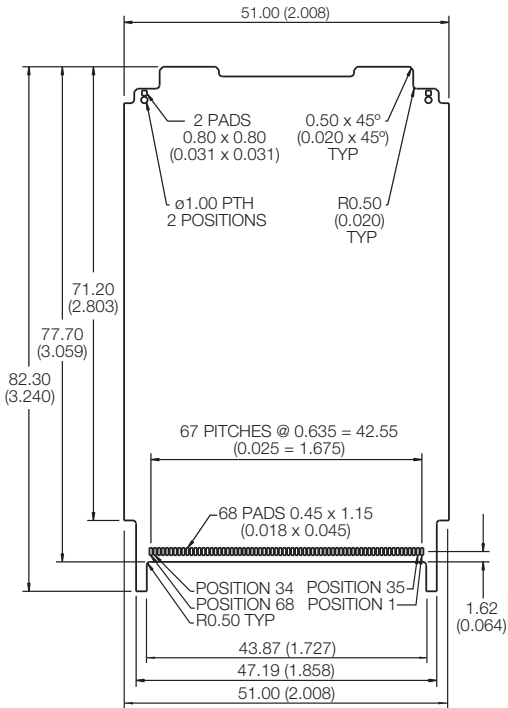
PCMCIA Frameless Kit



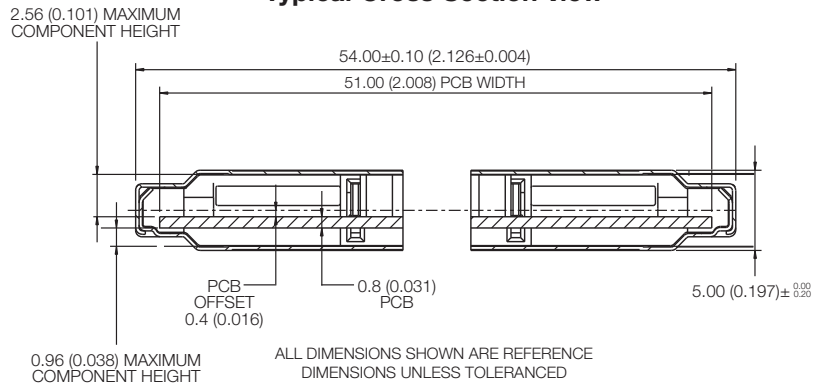
Series 9180

DIMENSIONS

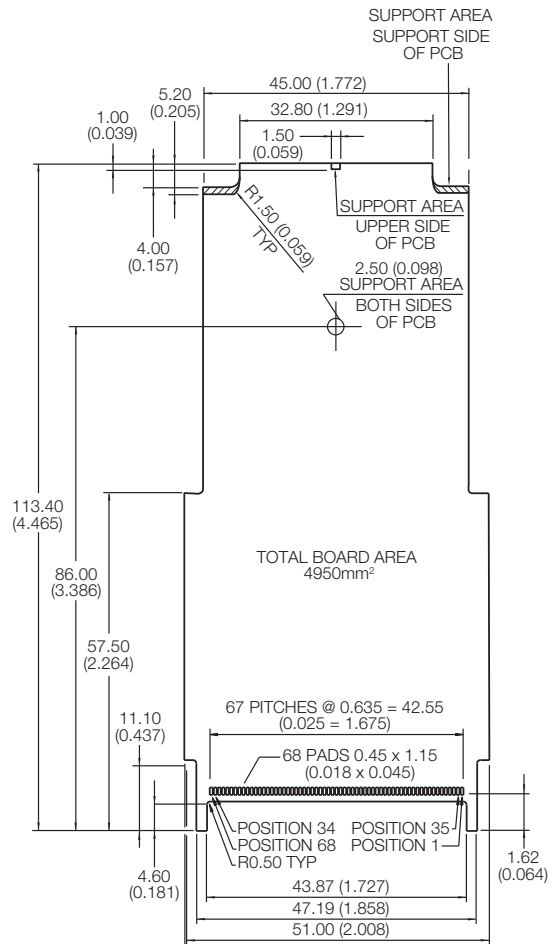
Typical PCB Layout



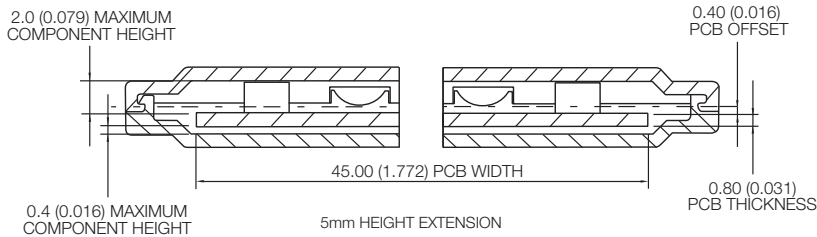
Typical Cross Section View



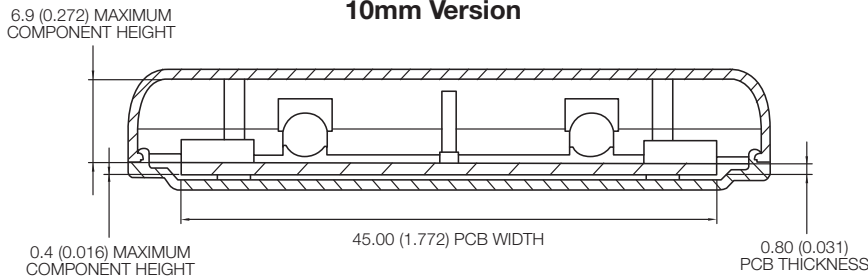
Typical PCB Layout - Extended Kit



Typical Cross Kit Section - Extended Area
5mm Version



Typical Cross Kit Section - Extended Area
10mm Version



All dimension are shown in millimeters (inches)

